

MC1436, C

High Voltage, Internally Compensated Operational Amplifiers

The MC1436, C was designed for use as a summing amplifier, integrator, or amplifier with operating characteristics as a function of the external feedback components.

- Output Voltage Swing: $\pm 22 V_{pk(min)}$ ($V_{CC} = +28 V$, $V_{EE} = -28 V$)
- Fast Slew Rate: $2.0 V/\mu s$ Typ
- Internally Compensated
- Offset Voltage Null Capability
- Input Overvoltage Protection
- A_{VOL} : 500,000 Typ
- Characteristics Independent of Power Supply Voltages: ($\pm 5.0 V_{dc}$ to $\pm 36 V_{dc}$)

Figure 1. Differential Amplifier with $\pm 20 V$ Common Mode Input Voltage Range

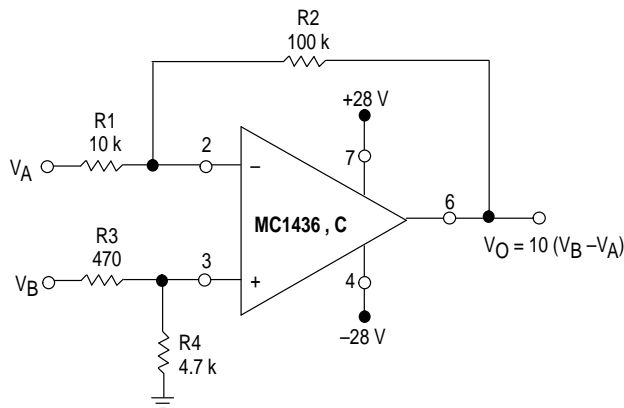
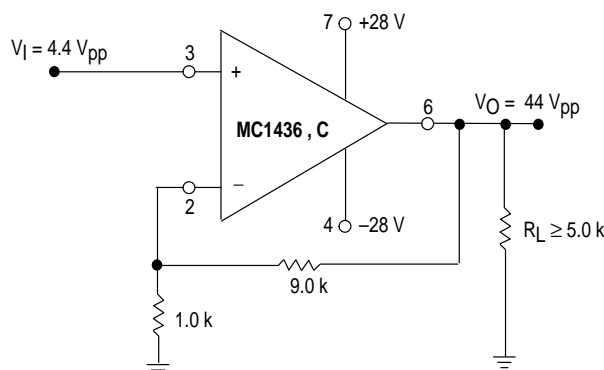
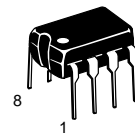


Figure 2. Typical Noninverting X10 Voltage Amplifier



OPERATIONAL AMPLIFIERS

SEMICONDUCTOR TECHNICAL DATA

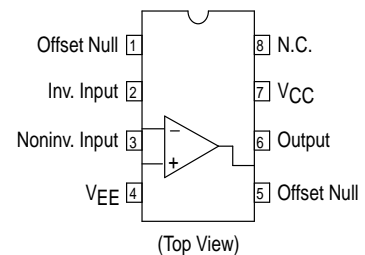


P1 SUFFIX
PLASTIC PACKAGE
CASE 626



D SUFFIX
PLASTIC PACKAGE
CASE 751
(SO-8)

PIN CONNECTIONS



ORDERING INFORMATION

Device	Operating Temperature Range	Package
MC1436CD,D	$T_A = 0^\circ$ to $+70^\circ C$	SO-8
MC1436CP1,P1		Plastic DIP

MC1436, C

MAXIMUM RATINGS (T_A = +25°C, unless otherwise noted.)

Rating	Symbol	MC1436	MC1436C	Unit
Power Supply Voltage	V _{CC} V _{EE}	+34 -34	+30 -30	Vdc
Input Differential Voltage Range	V _{IDR}	Note 2		V
Input Common Mode Voltage Range	V _{ICR}	Note 2		V
Output Short Circuit Duration (V _{CC} = V _{EE} = 28 Vdc, V _O = 0)	t _{SC}	5.0		sec
Power Dissipation (Package Limitation) Derate above T _A = +25°C	P _D	680 4.6		mW mW/°C
Operating Ambient Temperature Range	T _A	0 to +70		°C
Storage Temperature Range	T _{stg}	-65 to +150		°C

ELECTRICAL CHARACTERISTICS (V_{CC} = +28 V, V_{EE} = -28 V, T_A = 25°C, unless otherwise noted.)

Characteristic	Symbol	MC1436			MC1436C			Unit
		Min	Typ	Max	Min	Typ	Max	
Input Bias Current T _A = +25°C T _A = T _{low} to T _{high} (See Note 1)	I _{IB}	-	15	40	-	25	90	nAdc
Input Offset Current T _A = +25°C T _A = +25°C to T _{high} T _A = T _{low} to +25°C	I _{IO}	-	5.0	10	-	10	25	nAdc
Input Offset Voltage T _A = +25°C T _A = T _{low} to T _{high}	V _{IO}	-	5.0	10	-	5.0	12	mVdc
Differential Input Impedance (Open loop, f ≤ 5.0 Hz) Parallel Input Resistance Parallel Input Capacitance	r _p C _p	-	10	-	-	10	-	MΩ pF
Common Mode Input Impedance (f ≤ 5.0 Hz)	z _{ic}	-	250	-	-	250	-	MΩ
Input Common Mode Voltage Range	V _{ICR}	±22	±25	-	±18	±20	-	Vpk
Equivalent Input Noise Voltage (A _V = 100, R _S = 10 kΩ, f = 1.0 kHz, BW = 1.0 Hz)	e _n	-	50	-	-	50	-	nV/(Hz) ^{1/2}
Common Mode Rejection (DC)	CMR	70	110	-	50	90	-	dB
Large Signal DC Open Loop Voltage Gain (V _O = ±10 V, R _L = 100 kΩ) T _A = +25°C T _A = T _{low} to T _{high} (V _O = ±10 V, R _L = 10 kΩ, T _A = +25°C)	A _{VOL}	70,000 50,000	500,000 -	- -	50,000 -	500,000 -	- -	V/V
Power Bandwidth (Voltage Follower) (A _V = 1, R _L = 5.0 kΩ, THD ≤ 5%, V _O = 40 V _{pp})	BW _p	-	23	-	-	23	-	kHz
Unity Gain Crossover Frequency (Open loop)	f _c	-	1.0	-	-	1.0	-	MHz
Phase Margin (Open loop, Unity Gain)	φ _m	-	50	-	-	50	-	Degrees
Gain Margin	A _M	-	18	-	-	18	-	dB
Slew Rate (Unity Gain)	SR	-	2.0	-	-	2.0	-	V/μs
Output Impedance (f ≤ 5.0 Hz)	z _O	-	1.0	-	-	1.0	-	kΩ
Short Circuit Output Current	I _{SC}	-	±17	-	-	±19	-	mAdc

NOTES: 1. T_{low} = 0°C for MC1436,C T_{high} = +70°C for MC1436,C
2. Either or both input voltages must not exceed the magnitude of V_{CC} or V_{EE} + 3.0 V.

MC1436, C

ELECTRICAL CHARACTERISTICS ($V_{CC} = +28\text{ V}$, $V_{EE} = -28\text{ V}$, $T_A = 25^\circ\text{C}$, unless otherwise noted.)

Characteristic	Symbol	MC1436			MC1436C			Unit
		Min	Typ	Max	Min	Typ	Max	
Output Voltage Range ($R_L = 5.0\text{ k}\Omega$) $V_{CC} = +28\text{ Vdc}$, $V_{EE} = -28\text{ Vdc}$ $V_{CC} = +36\text{ Vdc}$, $V_{EE} = -36\text{ Vdc}$	V_O	± 20	± 22	—	± 20	± 22	—	V_{pk}
Power Supply Rejection $V_{EE} = \text{Constant}$, $R_S \leq 10\text{ k}\Omega$ $V_{CC} = \text{Constant}$, $R_S \leq 10\text{ k}\Omega$	PSR + PSR -	—	35	200	—	50	—	$\mu\text{V/V}$
Power Supply Current (See Note 2)	I_{CC} I_{EE}	—	2.6	5.0	—	2.6	5.0	mA_{dc}
DC Quiescent Power Consumption ($V_O = 0$)	P_C	—	146	280	—	146	280	mW

NOTES: 2. $V_{CC} = V_{EE} = 5.0\text{ Vdc}$ to 30 Vdc for MC1436
 $V_{CC} = V_{EE} = 5.0\text{ Vdc}$ to 28 Vdc for MC1436C

Figure 3. Low-Drift Sample and Hold

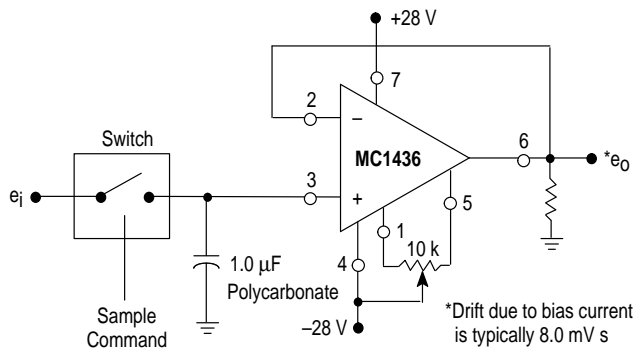


Figure 4. Power Bandwidth

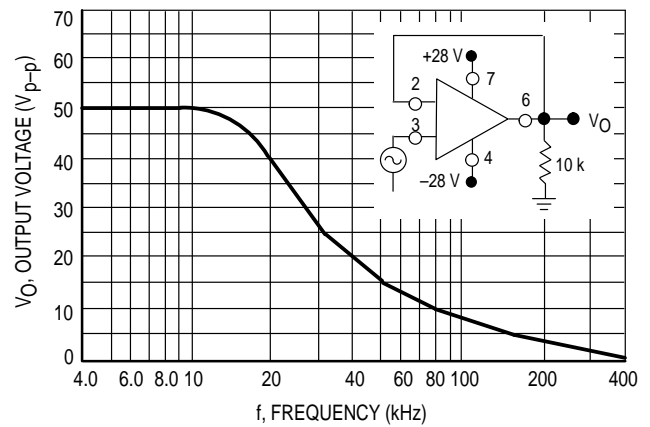


Figure 5. Peak Output Voltage Swing versus Power Supply Voltage

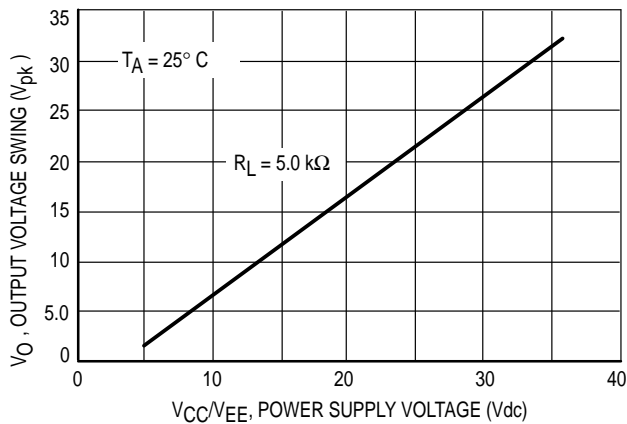


Figure 6. Open Loop Frequency Response

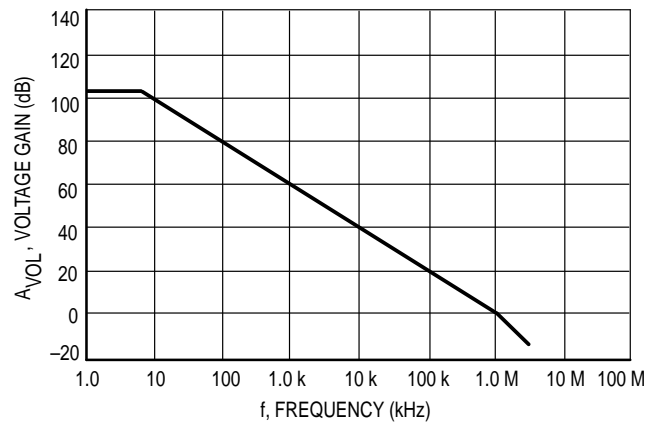


Figure 7. Output Short Circuit Current versus Temperature

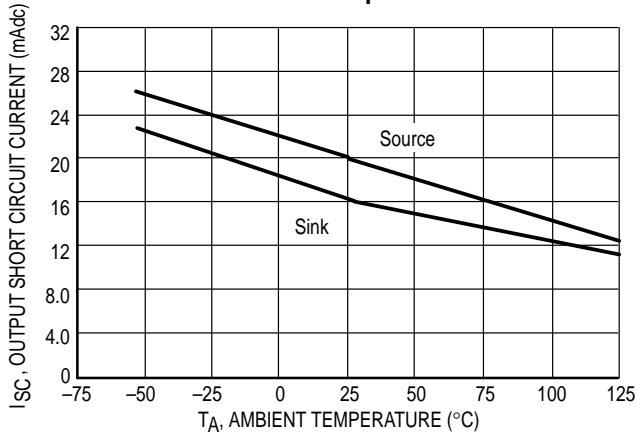


Figure 8. Input Bias Current versus Temperature

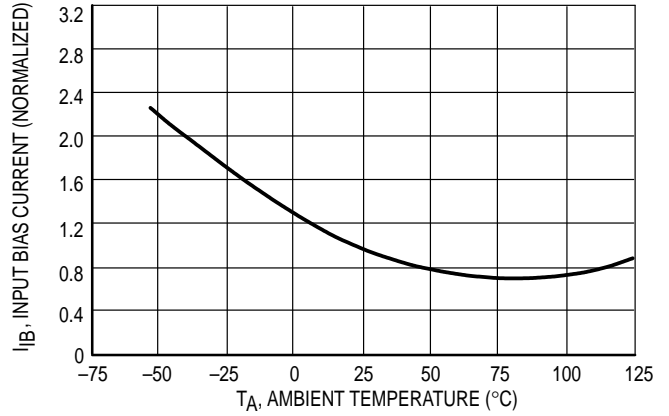


Figure 9. Inverting Feedback Model

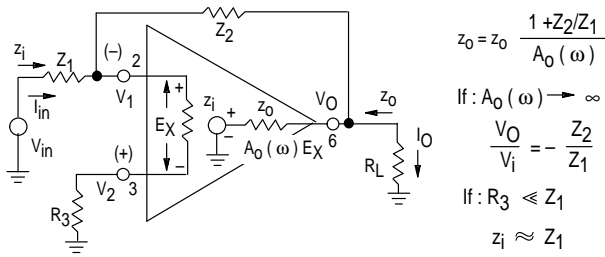


Figure 10. Noninverting Feedback Model

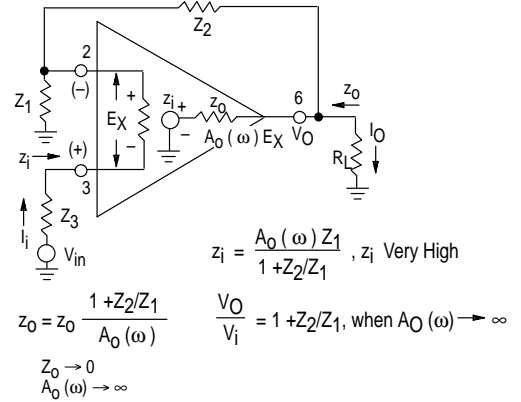
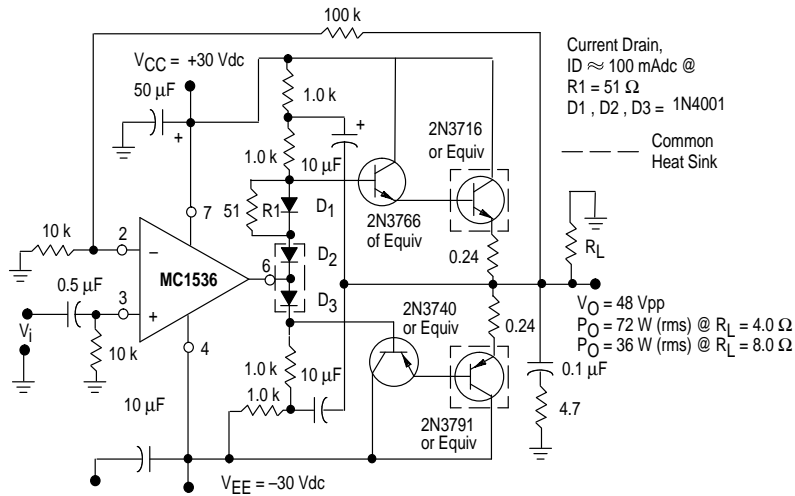


Figure 11. Audio Amplifier



MC1436, C

Figure 12. Voltage Controlled Current Source or Transconductance Amplifier with 0 V to 40 V Compliance

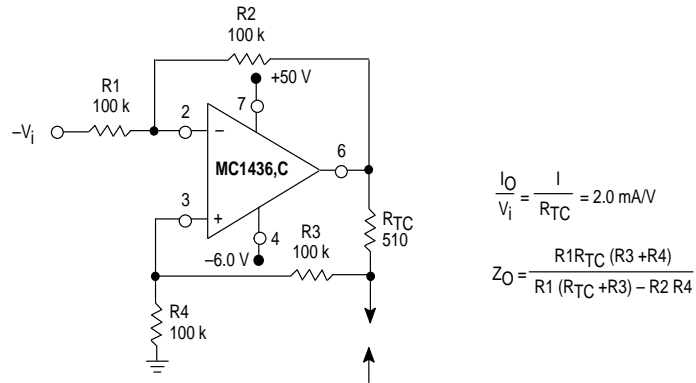


Figure 13. Representative Schematic Diagram

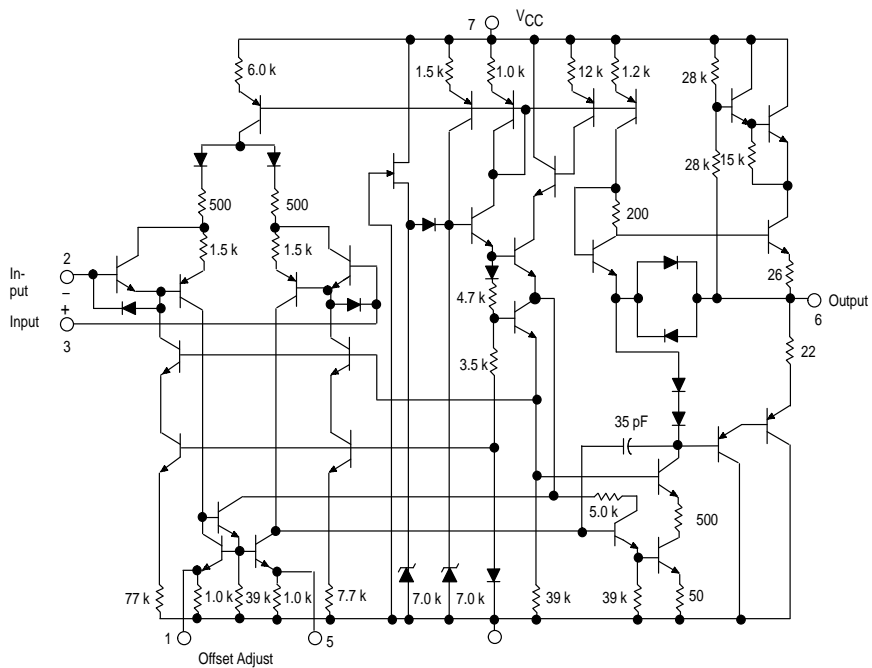
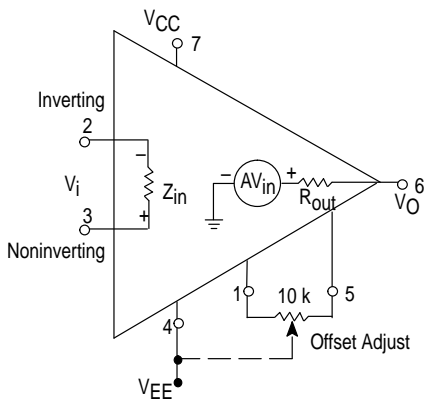


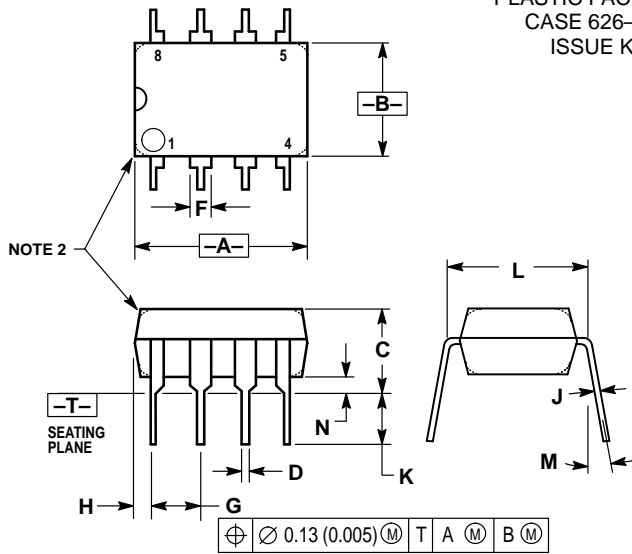
Figure 14. Equivalent Circuit



MC1436, C

OUTLINE DIMENSIONS

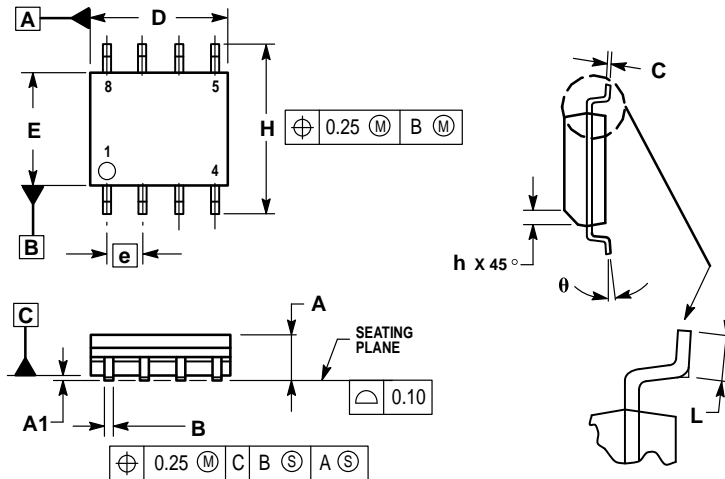
P1 SUFFIX PLASTIC PACKAGE CASE 626-05 ISSUE K



- NOTES:
1. DIMENSION L TO CENTER OF LEAD WHEN FORMED PARALLEL.
 2. PACKAGE CONTOUR OPTIONAL (ROUND OR SQUARE CORNERS).
 3. DIMENSIONING AND TOLERANCING PER ANSI Y14.5M, 1982.

DIM	MILLIMETERS		INCHES	
	MIN	MAX	MIN	MAX
A	9.40	10.16	0.370	0.400
B	6.10	6.60	0.240	0.260
C	3.94	4.45	0.155	0.175
D	0.38	0.51	0.015	0.020
F	1.02	1.78	0.040	0.070
G	2.54 BSC		0.100 BSC	
H	0.76	1.27	0.030	0.050
J	0.20	0.30	0.008	0.012
K	2.92	3.43	0.115	0.135
L	7.62 BSC		0.300 BSC	
M	—	10°	—	10°
N	0.76	1.01	0.030	0.040

D SUFFIX PLASTIC PACKAGE CASE 751-05 (SO-8) ISSUE R



- NOTES:
1. DIMENSIONING AND TOLERANCING PER ASME Y14.5M, 1994.
 2. DIMENSIONS ARE IN MILLIMETERS.
 3. DIMENSION D AND E DO NOT INCLUDE MOLD PROTRUSION.
 4. MAXIMUM MOLD PROTRUSION 0.15 PER SIDE.
 5. DIMENSION B DOES NOT INCLUDE MOLD PROTRUSION. ALLOWABLE DAMBAR PROTRUSION SHALL BE 0.127 TOTAL IN EXCESS OF THE B DIMENSION AT MAXIMUM MATERIAL CONDITION.

DIM	MILLIMETERS	
	MIN	MAX
A	1.35	1.75
A1	0.10	0.25
B	0.35	0.49
C	0.18	0.25
D	4.80	5.00
E	3.80	4.00
e	1.27 BSC	
H	5.80	6.20
h	0.25	0.50
L	0.40	1.25
θ	0°	7°

Motorola reserves the right to make changes without further notice to any products herein. Motorola makes no warranty, representation or guarantee regarding the suitability of its products for any particular purpose, nor does Motorola assume any liability arising out of the application or use of any product or circuit, and specifically disclaims any and all liability, including without limitation consequential or incidental damages. "Typical" parameters which may be provided in Motorola data sheets and/or specifications can and do vary in different applications and actual performance may vary over time. All operating parameters, including "Typicals" must be validated for each customer application by customer's technical experts. Motorola does not convey any license under its patent rights nor the rights of others. Motorola products are not designed, intended, or authorized for use as components in systems intended for surgical implant into the body, or other applications intended to support or sustain life, or for any other application in which the failure of the Motorola product could create a situation where personal injury or death may occur. Should Buyer purchase or use Motorola products for any such unintended or unauthorized application, Buyer shall indemnify and hold Motorola and its officers, employees, subsidiaries, affiliates, and distributors harmless against all claims, costs, damages, and expenses, and reasonable attorney fees arising out of, directly or indirectly, any claim of personal injury or death associated with such unintended or unauthorized use, even if such claim alleges that Motorola was negligent regarding the design or manufacture of the part. Motorola and  are registered trademarks of Motorola, Inc. Motorola, Inc. is an Equal Opportunity/Affirmative Action Employer.

MC1436, C

How to reach us:

USA/EUROPE/Locations Not Listed: Motorola Literature Distribution;
P.O. Box 20912; Phoenix, Arizona 85036. 1-800-441-2447 or 602-303-5454

MFAX: RMFAX0@email.sps.mot.com – TOUCHTONE 602-244-6609

INTERNET: <http://Design-NET.com>

JAPAN: Nippon Motorola Ltd.; Tatsumi-SPD-JLDC, 6F Seibu-Butsuryu-Center,
3-14-2 Tatsumi Koto-Ku, Tokyo 135, Japan. 03-81-3521-8315

ASIA/PACIFIC: Motorola Semiconductors H.K. Ltd.; 8B Tai Ping Industrial Park,
51 Ting Kok Road, Tai Po, N.T., Hong Kong. 852-26629298



MOTOROLA



MC1436/D

